

Dispenser 3RD8

Votre interlocuteur :

SYNEO
 GROUPE SUPRATEC

Description



This compact ViscoTec dispenser achieves a precise, consistent and reliable dosing of widely varying media. Thanks to the special rotor-stator geometry, a valve to prevent medium from automatically flowing out is not required. Alternately opening chambers allow the gentle transfer and pulsation-free dispensing of product.

- Dosing volume: 0,35 ml/rev.
- Non-stick coated interior
- Reverse-flow possible (no dripping or stringing of product)
- Connection between dispensed quantity and speed is absolutely linear
- Constant dosing volume, also with density or viscosity fluctuations
- Reliable dosing even without heating the medium
- Low maintenance
- Clamp system for quick dismantling
- As ViscoPro dosing system: easy programming of quantity and speed (see separate data sheet)

Application

- Dot or bead application, variable quantities possible
- Suitable for all adhesives and sealants
- For low to high-viscosity media
- Particularly suitable for abrasive, high-content or shear sensitive media

Technical data

Dosing volume	~ 0,35 ml/rev
Flow rate	2,5 - 52 ml/min*
Minimum dosing quantity	0,02 ml*
Operating temperature	+10 to +100 °C
Temperature of medium	-20 to + 100 °C
Maximum speed	150 rpm*
Maximum permissible torque	8 Nm
Maximum dosing pressure	20 - 30 bar*
Supply (input) pressure	max. 10 bar*
Weight	ca. 930 g

* depending on medium



Fabricant

 ViscoTec Pumpen- u. Dosiertechnik GmbH
 mail@viscotec.de • www.viscotec.de

SYNEO
 GROUPE SUPRATEC

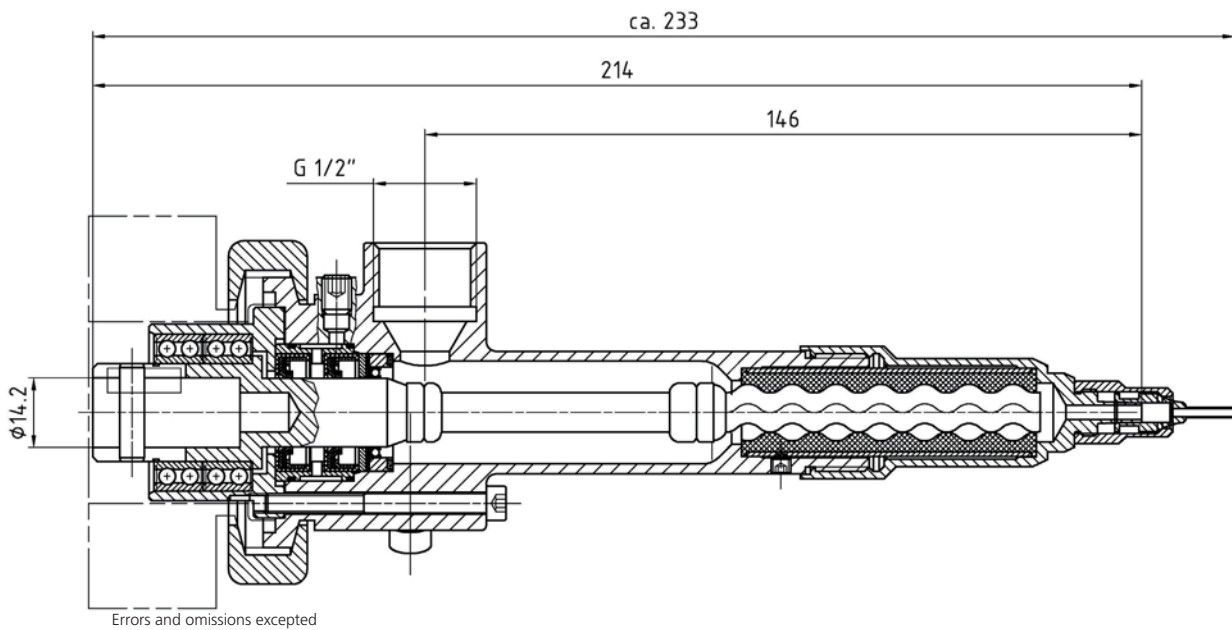
 Agence en France : **SYNEO - GROUPE SUPRATEC**
 ZI La Marinière - rue Charles de Gaulle
 91070 Bondoufle
 Tél. : +33 (0)1 69 11 81 75
 infocolle@syneo.net - www.SYNEO.net

Item number

	End Connection	Fine Dosing*
3RD8-H with EPDM(p)	126293	130763
3RD8-H with VisChem	121694	
3RD8-H with VisTon	131493	129656
3RD8-L with EPDM(p)	114650	132257
3RD8-L with VisChem	124341	
3RD8-L with VisTon	130779	

* including cap nut for standard dispensing needle and metal dispensing needle

Cross section



Application examples



Fabricant

ViscoTec Pumpen- u. Dosiertechnik GmbH
mail@viscotec.de • www.viscotec.de



Agence en France : **SYNEO - GROUPE SUPRATEC**
ZI La Marinière - rue Charles de Gaulle
91070 Bondoufle
Tél. : +33 (0)1 69 11 81 75
infocolle@syneo.net - www.SYNEO.net