



Votre interlocuteur :



Product Data Sheet

# Dispenser 3VMP22

## Description



This ViscoTec dispenser achieves precise, consistent and reliable dosing and transfer of larger product volumes. Thanks to the special rotor-stator geometry, a valve to prevent medium from automatically flowing out is not required. Alternately opening chambers allow the gentle transfer and pulsation-free dispensing of product.

- Dosing volume: 13,5 ml/rev
- Reverse-flow possible (no dripping or stringing of product)
- Constant dosing volume, also with density or viscosity fluctuations
- Reliable dosing even without heating the medium
- Connection between dispensed quantity and speed is absolutely linear
- Drive with spur gear motor and optional external fan
- Easy programming of quantity and speed in combination with the ViscoDosII control (see separate data sheet)
- Low maintenance
- Quick dismantling
- Self-priming, so no (or low) product input pressure required (depending on medium)

## Application

- Dot or bead application, variable quantities possible
- Suitable for all adhesives and sealants (not for anaerobic products)
- For low to high-viscosity media
- Particularly suitable for abrasive, high-content or shear sensitive media
- Also for operation in hobcock/barrel-emptying systems

## Technical data

Dosing volume	~ 13,5 ml/rev
Flow rate	0,09 - 2,2 l/min*
Minimum dosing quantity	0,75 ml*
Operating temperature	+10 to +100 °C
Temperature of medium	-20 to + 100 °C
Maximum speed	150 rpm*
Maximum permissible torque	8 Nm
Maximum dosing pressure	20 - 30 bar*
Supply (input) pressure	max. 10 bar*
Weight	ca. 8 kg

\* depending on medium



### Fabricant

ViscoTec Pumpen- u. Dosiertechnik GmbH  
mail@viscotec.de • www.viscotec.de

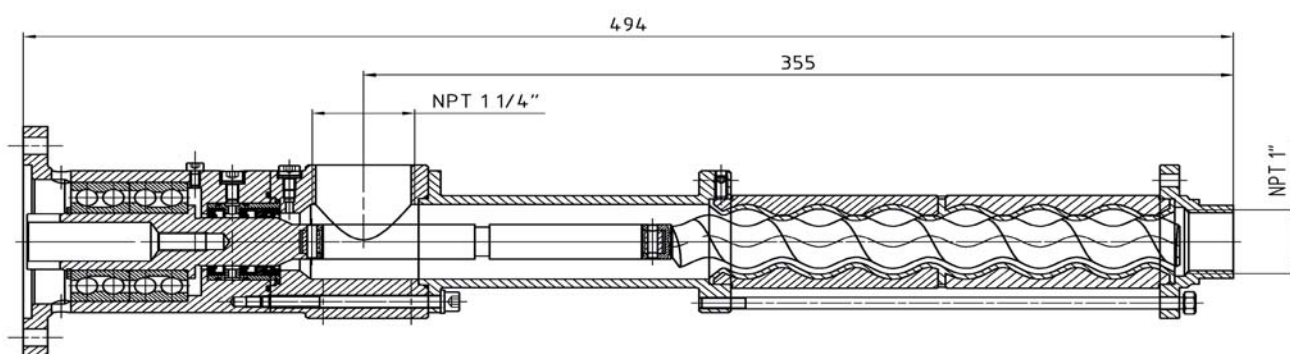


Agence en France : **SYNEO - GROUPE SUPRATEC**  
ZI La Marinière - rue Charles de Gaulle  
91070 Bondoufle  
Tél. : +33 (0)1 69 11 81 75  
infocolle@syneo.net - www.SYNEO.net

## Item number

3VMP22-H with EPDM(p)	125055
3VMP22-H with VisChem	123007
3VMP22-H with VisTon	124572
3VMP 2-H with VisLas	
3VMP22-L with EPDM(p)	130987

## Cross section



Errors and omissions excepted

## Application examples



### Fabricant

ViscoTec Pumpen- u. Dosiertechnik GmbH  
mail@viscotec.de • www.viscotec.de



Agence en France : **SYNEO - GROUPE SUPRATEC**  
ZI La Marinière - rue Charles de Gaulle  
91070 Bondoufle  
Tél. : +33 (0)1 69 11 81 75  
infocolle@syneo.net - www.SYNEO.net